

Wireless

VEN1.0

IR Remote Extender

Transmitter

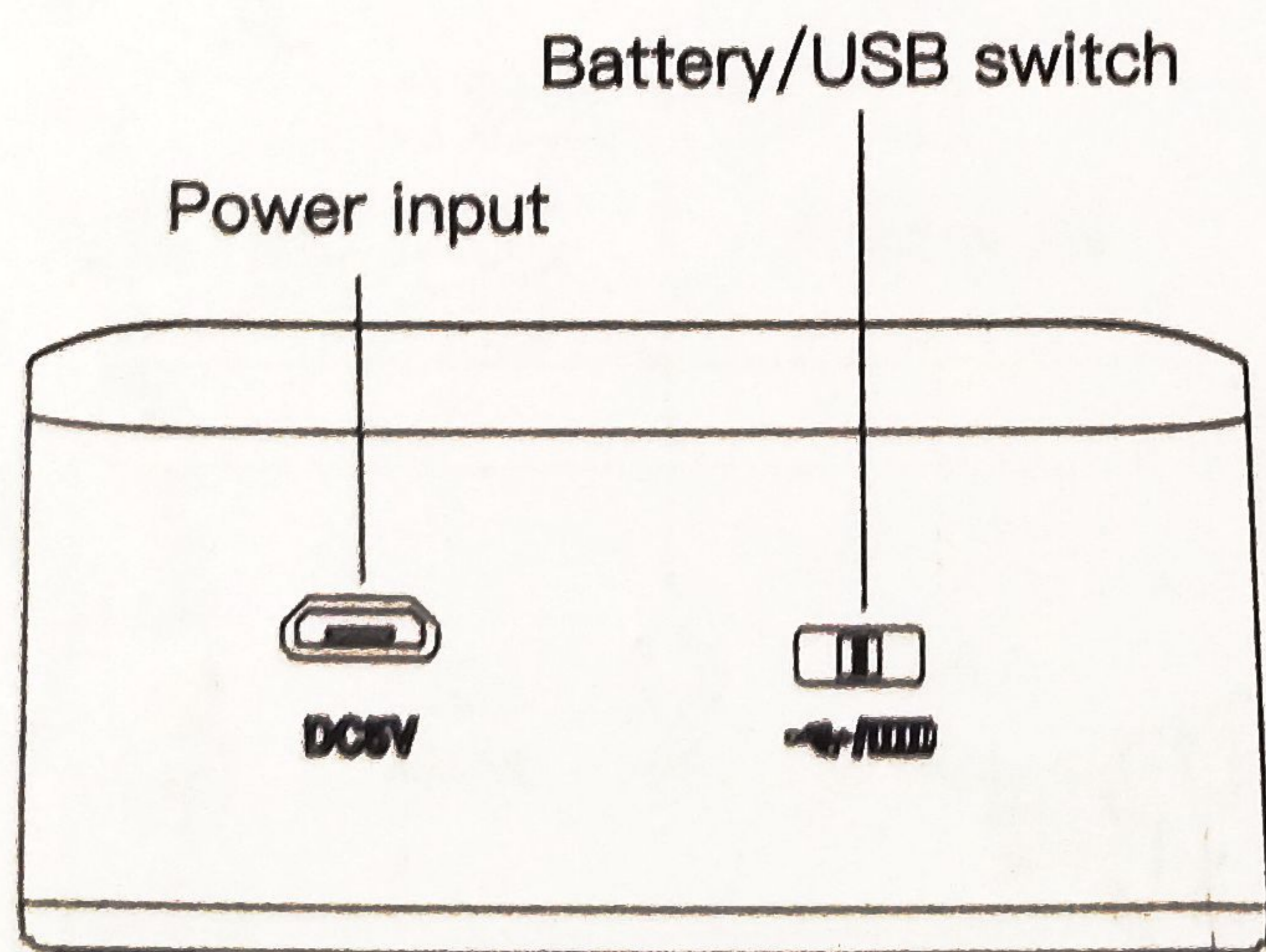
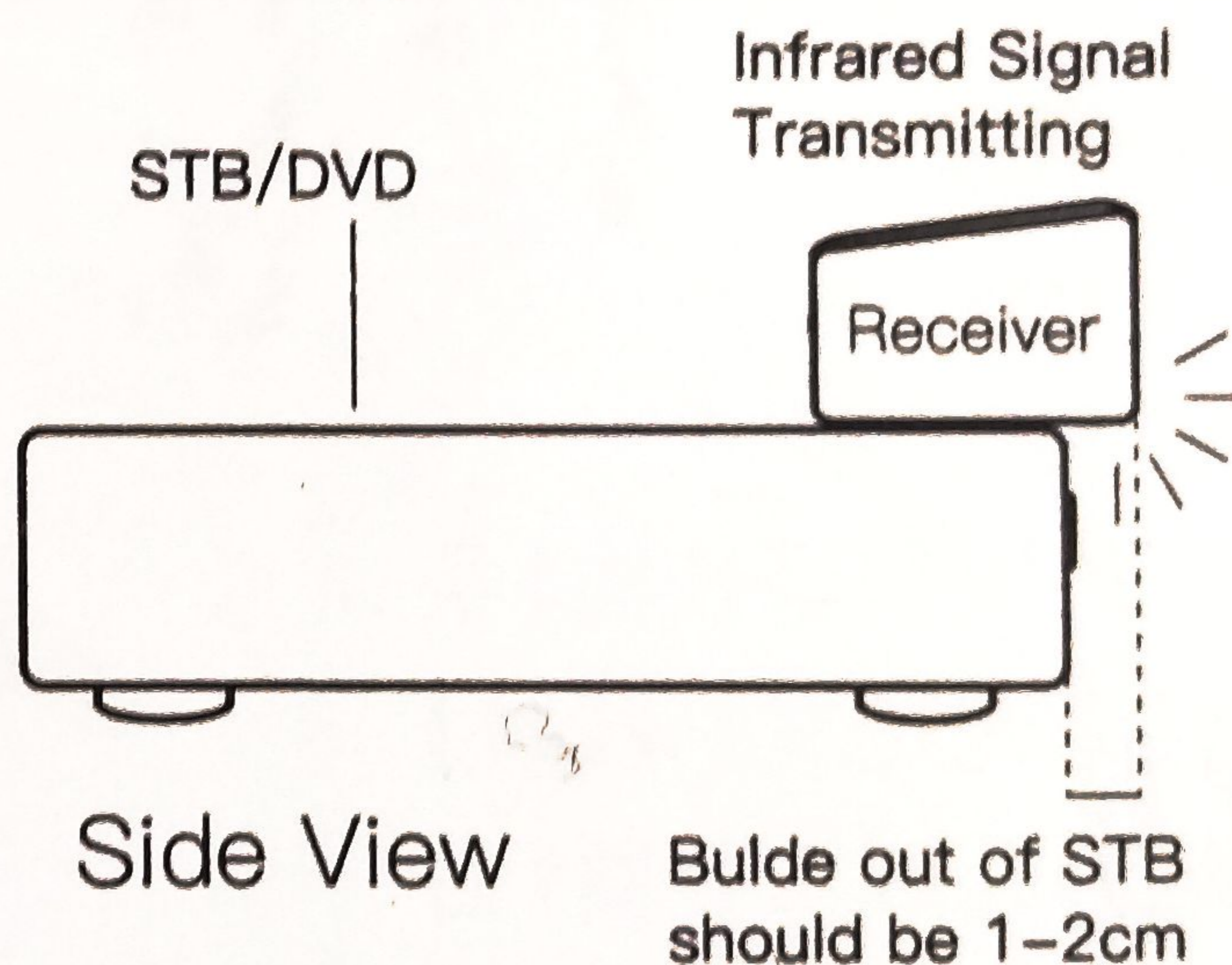
1. Transmission frequency: 433.92MHz \pm 500kHz Superherodyne
2. Carrier frequency: 38KHz/56KHz
3. IR signal Transmitting: \leq 10m
4. Power Input: 5V=100mA, or two batteries of AA LR6 1.5V

Receiver

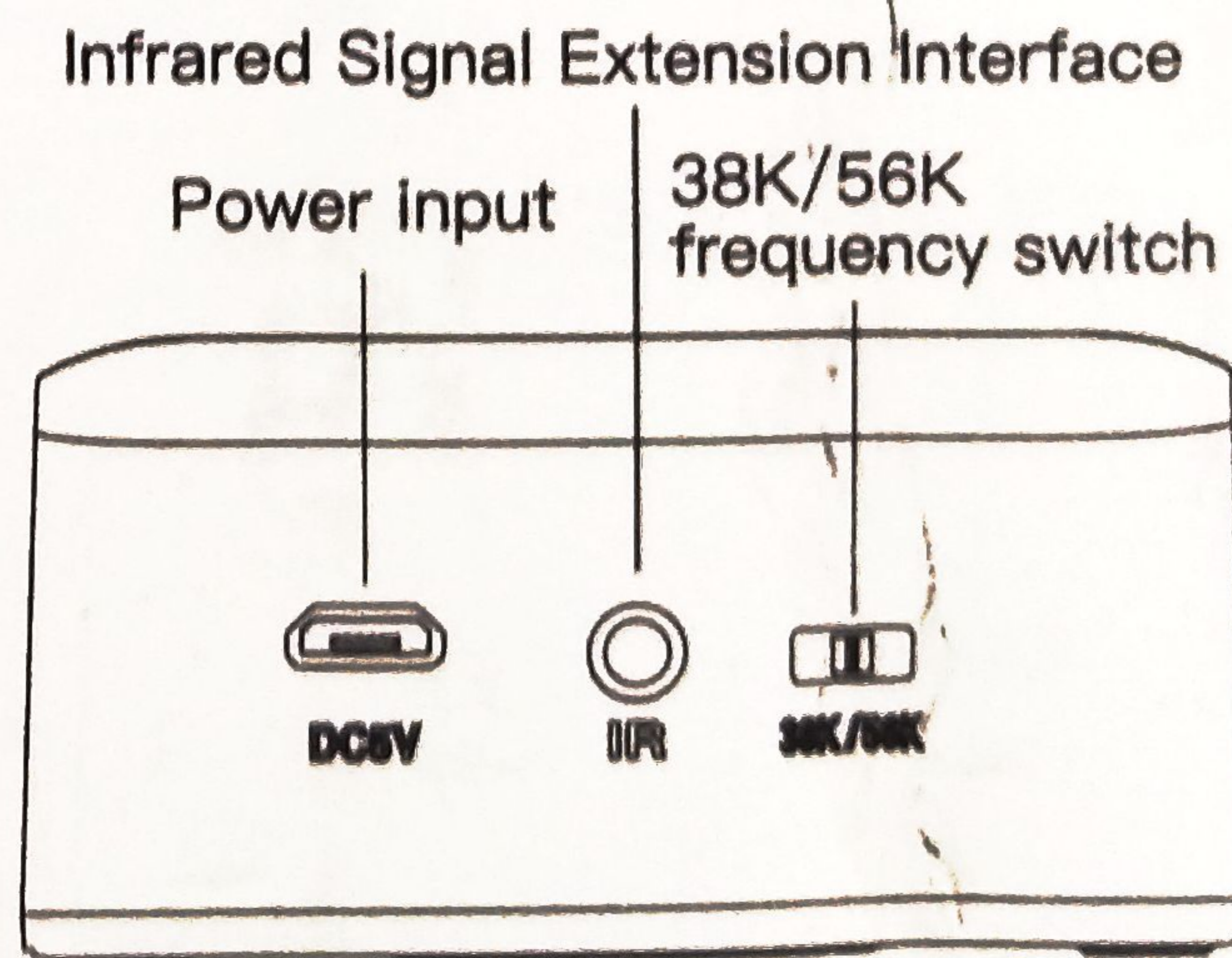
1. Transmission frequency: 433.92MHz \pm 200kHz Superherodyne
2. Carrier frequency: 38KHz/56KHz (manual switch)
3. IR signal Receiving: \leq 5m
4. Power Input: 5V=100mA, or two batteries of AA LR6 1.5V
5. Horizontal barrier-free transmission distance between the Transmitter and Receiver: \leq 200m

Standard accessories

1. USB cable 2pcs
2. User Manual 1pcs
3. IR Extender Wire 1pcs
4. Transmitter 1set
5. Receiver 1set



Transmitter



Receiver